



17G SPECIFICATIONS

Engine		17G
Manufacturer and Model	Yanmar 3TNV74F	
Non-Road Emission Standard	EPA Final Tier 4/EU Stage IV	
Displacement	0.99 L (61 cu. in.)	
Net Power (ISO 9249)	10.8 kW (14.5 hp) at 2,400 rpm	
Powertrain		
Each track independently driven by hydrostatic axial-piston motor connected to 2-stage planetary gear reduction box		
Maximum Travel Speed		
Low	2.4 km/h (1.5 mph)	
High	4.2 km/h (2.6 mph)	
Swing Speed	9.4 rpm	
Swing Brake	Spring applied, hydraulically released, automatic	
Hydraulics		
Open center with 2 variable-displacement pumps, 1 fixed-gear pump, and 1 pilot pump		
Pump Flow		
Piston	2 x 19.2 L/m (2 x 5.1 gpm)	
Gear	10.98 L/m (2.9 gpm)	
Auxiliary Flow	29.9 L/m (7.9 gpm)	
Controls	Hydraulic pilot operated for boom, arm, bucket, swing, boom swing, blade, travel, and auxiliary functions	
Electrical		
Alternator Rating	40 amp	
Work Lights	1 mounted on boom	
Undercarriage		
Planetary final drive; 2-speed axial-piston propel motors		
Tracks, Rubber	230 mm (9 in.)	
Ground Pressure with Rubber Track	26.6 kPa (3.9 psi)	
Upperstructure		
Independent Swing Boom		
Left	70 deg.	
Right	50 deg.	
Counterweight, Standard	120 kg (265 lb.)	
Rear Overhang	40 mm (2 in.)	
Serviceability		
Refill Capacities		
Fuel Tank	20.06 L (5.3 gal.)	
Cooling System	2.7 L (2.9 qt.)	
Engine Oil with Filter	3.10 L (3.3 qt.)	
Hydraulic Tank	14.01 L (3.7 gal.)	
Operating Weight		
With 0.93-m (3 ft. 1 in.) Standard Arm, Standard Counterweight, Rubber Track, Full Fuel Tank, and 79-kg (175 lb.) Operator	1720 kg (3,790 lb.)	

17G SPECIFICATIONS



Operating Dimensions

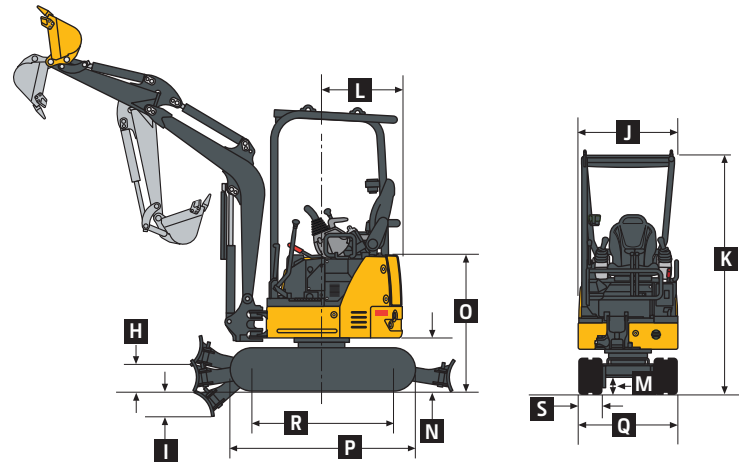
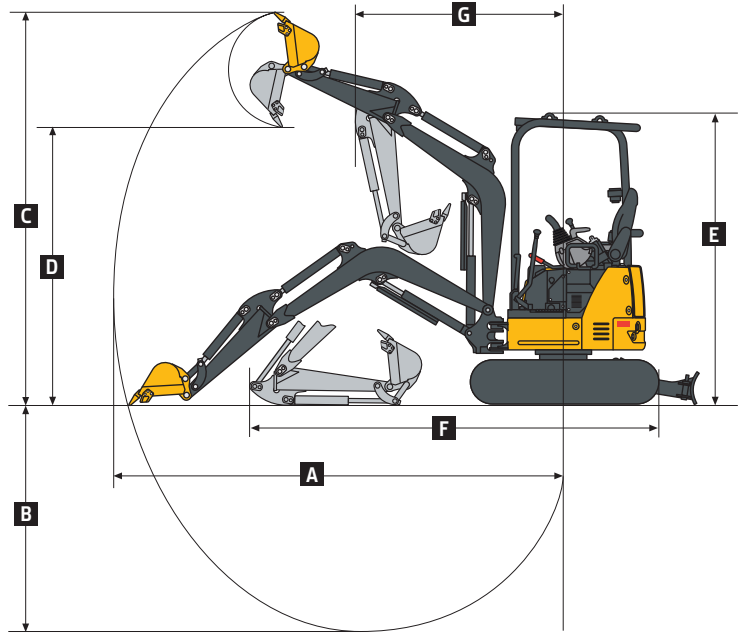
17G

0.93-m (3 ft. 1 in.) Standard Arm and Standard Counterweight

A Maximum Digging Reach	3.81 m (12 ft. 6 in.)
B Maximum Digging Depth	2.19 m (7 ft. 2 in.)
C Maximum Cutting Height	3.54 m (11 ft. 7 in.)
D Maximum Dumping Height	2.51 m (8 ft. 3 in.)
E Transport Height	2.38 m (7 ft. 10 in.)
F Overall Length (blade in front)	3.50 m (11 ft. 6 in.)
G Minimum Swing Radius	1.53 m (5 ft. 0 in.)
H Blade Bottom Highest Position	0.29 m (11 in.)
I Blade Bottom Lowest Position	0.23 m (9 in.)
Boom-Swing Pivot-Offset Distance	0.11 m (4 in.)
Offset Distance	
Left	0.36 m (14 in.)
Right	0.56 m (22 in.)
Digging Force	
Bucket	16.0 kN (3,597 lb.)
Arm	8.6 kN (1,933 lb.)

Machine Dimensions

Blade	
Width	
Minimum	0.98 m (3 ft. 3 in.)
Maximum	1.28 m (4 ft. 2 in.)
Height	260 mm (10.2 in.)
J Upperstructure Width	0.99 m (3 ft. 3 in.)
K Overall Height	2.38 m (7 ft. 10 in.)
L Rear-End Swing Radius	0.68 m (2 ft. 3 in.)
M Minimum Ground Clearance	0.165 m (6 in.)
N Counterweight Height	0.45 m (18 in.)
O Engine Cover Height	1.15 m (3 ft. 9 in.)
P Undercarriage Length	1.57 m (5 ft. 2 in.)
Q Undercarriage Width	
Minimum	0.98 m (3 ft. 3 in.)
Maximum	1.28 m (4 ft. 2 in.)
R Sprocket Center to Idler Center	1.21 m (4 ft. 0 in.)
S Track Shoe Width	0.23 m (9 in.)



Lift Capacities

0.93-m (3 ft. 1 in.) Standard Arm, Standard Counterweight, and Rubber Track

	Over Front*	Over Side
Ground Level at 3.0-m (10 ft.) Radius	471 kg (1,015 lb.)	217 kg (470 lb.)

*Blade down (limited by hydraulics).